



0030DGIA3C099Z

Antenna

2.4–2.5GHz/5.15–5.85GHz 2dBi
Dipole Antenna SMA(M),L:109mm

Features

- Small Size
- Lightweight



Electrical Specifications

Frequency	2.4-2.5GHz/5.15-5.85GHz Dual Band
Gain	2±0.5dBi
VSWR	2.5:1(Max.)
Impedance	50Ohm
Connection	SMA Male
Type	Omnidirectional

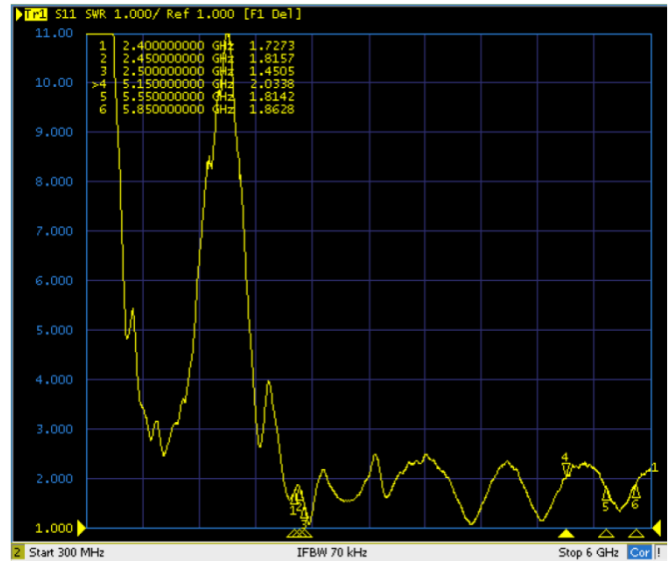
Mechanical

Durability	500 Cycles
------------	------------

Environmental

Operating Temperature	-30°C~85°C
-----------------------	------------

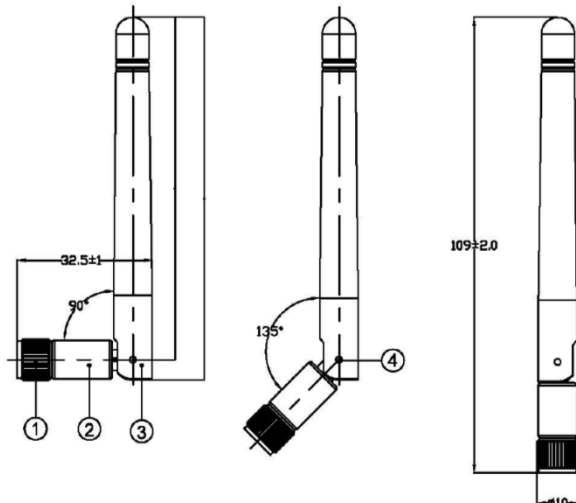
Test Report



Material

Part	Material
Housing	ABS
Connector	Brass

Outling Drawing (Unit:mm)



All Specification Changed Without Notification.